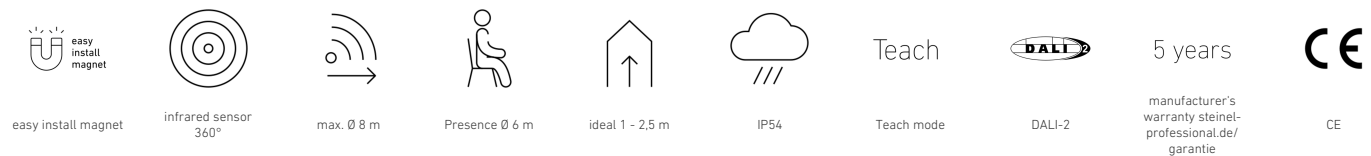


PD-8 ECO

DALI-2 Input Device - surface white
 EAN 4007841 088156
 Article number 088156



Function description

Motion detection, presence detection and light measurement for offices, meeting rooms, passageways and more – the 360° IR presence detectors are sensNORM-compliant and ideal for sensor-based standard requirements in public buildings. With COM1, KNX and DALI-2 IPD interface. With COM1 interface, key input and fully/semi-automatic mode. Motion detection range: Ø 8 or Ø 24 m. Presence detector function with Ø 6 or Ø 7.5 m detection zone. Includes insertable cover caps in a matching colour. For concealed wiring, surface mounting and recessed ceiling installation. Configuration and operation via Smart Remote control or potentiometer. Installation-friendly modular magnetic plug-in connection. LED feedback for safe commissioning. Mounting height max. 4 m. Parallel switching (up to 10 sensors). Switching output: 2000 watt or 500 watt (LED). In black or white.

Technical specifications

Dimensions (Ø x H)	129 x 65 mm	Mounting height	2 – 4 m
With motion detector	Yes	Mounting height max.	4,00 m
Manufacturer's Warranty	5 years	Optimum mounting height	2,8 m
Settings via	Bus	Detection angle	360 °
With remote control	No	Capability of masking out individual segments	Yes
Version	DALI-2 Input Device - surface white	Electronic scalability	No
PU1, EAN	4007841088156	Mechanical scalability	No
Type	Motion and Presence Detector	Reach, radial	Ø 4.5 m (16 m ²)
Application, place	Indoors	Reach, tangential	Ø 8 m (50 m ²)
Application, room	one-person office, function room / ancillary room, Indoors, warehouse	Reach, presence	Ø 6 m (28 m ²)
Colour	white	Switching zones	492 switching zones
Includes corner wall mount	No	Cover material	shrouds
Installation site	ceiling	Functions	Motions sensor, Light sensor, Presence function, Presence detector logic
Installation	Surface wiring, Ceiling		

PD-8 ECO

DALI-2 Input Device - surface white
EAN 4007841 088156
Article number 088156



Technical specifications

IP-rating	IP54
Ambient temperature	from -20 up to 50 °C
Material	Plastic
Power supply, detail	DALI bus
Technology, sensors	passive infrared, Light sensor

Type of interconnection	Master/master
Interconnection via	Cable
Max. Current consumption according to IEC 62386-101	84 mA
Typical current consumption at 16V input voltage	12 mA
Max. Current consumption at 10V input voltage in regular operation	17 mA
Product category	Motion and Presence Detector

Accessories

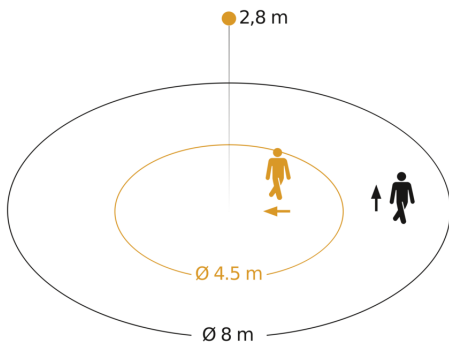
EAN 4007841 079543	Recessed adapter
EAN 4007841 009151	Remote control Smart Remote
EAN 4007841 592806	User remote control RC5
EAN 4007841 559410	Service remote control RC8

PD-8 ECO

DALI-2 Input Device - surface white
EAN 4007841 088156
Article number 088156

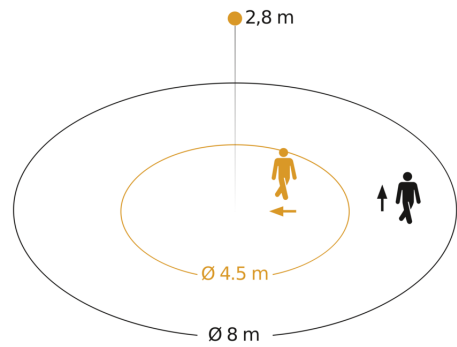


Detection Zone 1



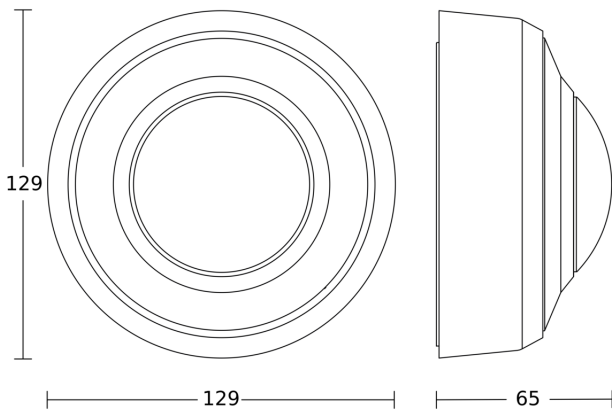
Possible mounting height: 2,00 m - 4,00 m
Orange: radial
Black: tangential

Detection Zone 2

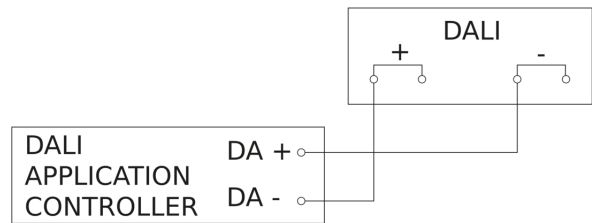


Possible mounting height: 2,00 m - 4,00 m
Orange: radial
Black: tangential

Dimension Drawing



Circuit diagram



PD-8 ECO

DALI-2 Input Device - surface white
EAN 4007841 088156
Article number 088156



Circuit diagram for interconnecting DALI-2 APC with DALI-2 IPD

